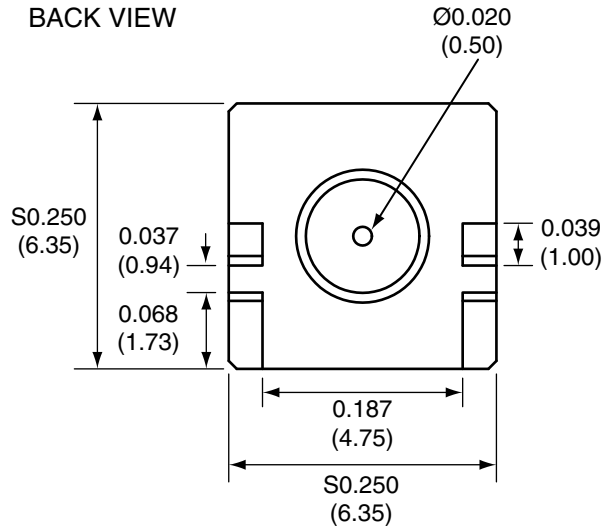


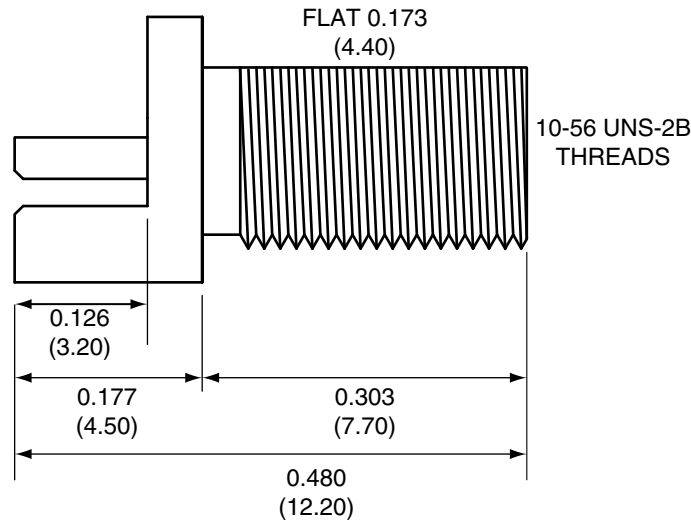
Description	Material	Finish
Body	Brass	Gold
Socket	BE CU	Gold
Insulation	Teflon	Teflon
Nut	Brass	Gold
Washer	Brass	Gold

REVISIONS			
REV	DESCRIPTION	DATE	APPV
B	Board Gap Dimension Corrected	12/22/09	CJ

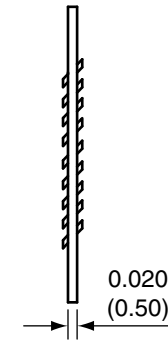
BACK VIEW



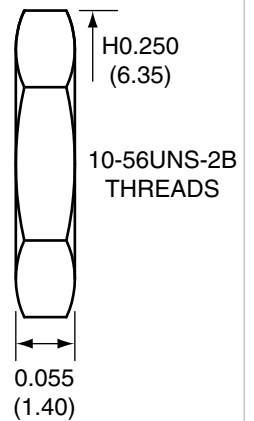
SIDE VIEW



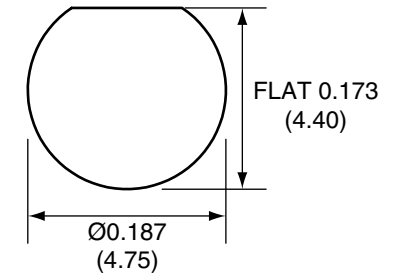
WASHER



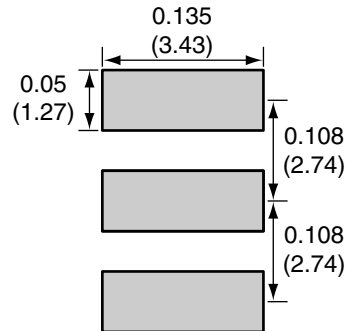
NUT



RECOMMENDED MOUNTING HOLE



RECOMMENDED FOOTPRINT



NOTES: (UNLESS OTHERWISE SPECIFIED)

1. ALL DIMENSIONS ARE IN INCHES [mm].
2. DIMENSIONS APPLY AFTER FINISHING.
3. MANUFACTURE TO BE COMPLIANT WITH EU RoHS DIRECTIVE.
4. SAFETY BREAK ALL SHARP CORNERS AND EDGES .02 MAXIMUM.

WARNING: THIS DRAWING CONTAINS PROPRIETARY INFORMATION THAT IS THE SOLE PROPERTY OF CONNECTOR CITY, AND SHALL BE TREATED AS SUCH. NO DISCLOSURE OR REPRODUCTION OF THIS DOCUMENT IS PERMITTED, IN WHOLE OR IN PART, WITHOUT THE EXPRESS WRITTEN PERMISSION OF CONNECTOR CITY OR ITS DESIGNATED AGENTS.

CONNECTOR CITY 159 ORT LANE
THE VALUE OF CONNECTIONS MERLIN, OR 97532

TITLE:
**MCX FEMALE EDGE MOUNT
 FOR 0.031" THICK BOARD, EXTENDED**

MATERIAL:	TOLERANCES: .020 [5.00]-.200 [5.00]= ±.008 [0.20] .200 [5.00]-1.200 [30.00]= ±.016 [0.40] 1.20 [30.00]-4.75 [120.00]= ±.024 [0.60] 4.75 [120.00]-12.40 [315.00]= ±.040 [1.00]	PROJECTION:
FINISH:	DRAWN: CJ ENGR:	DT: 12/22/09 DT:

SIZE A	DWG. NO. CONMCX003.031-L	REV B
SCALE: 2:1	DO NOT SCALE DRAWING	SHEET 1 OF 1