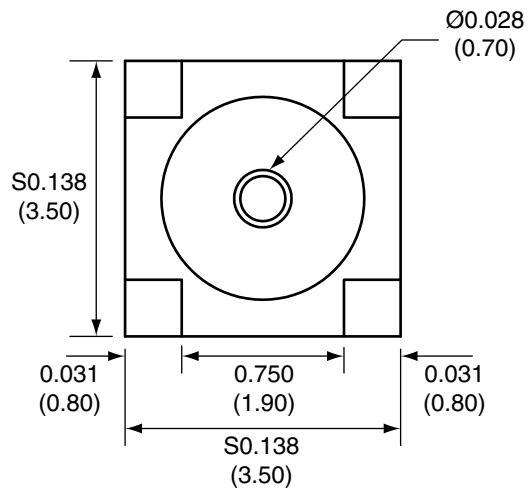
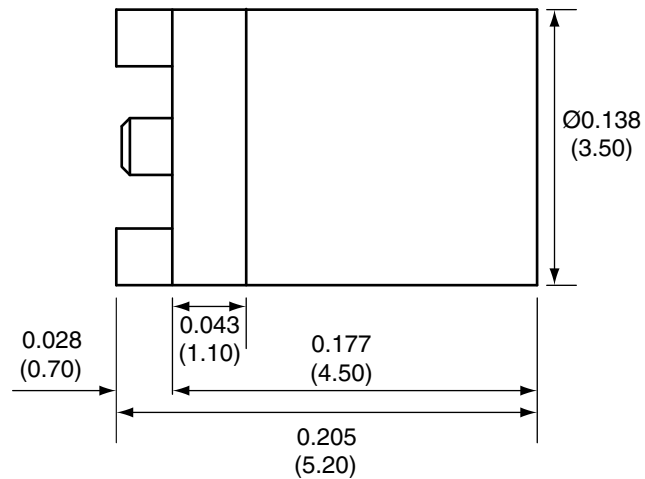


1		
Description	Material	Finish
Body	Brass	Gold
Socket	BE CU	Gold
Insulation	Teflon	Teflon

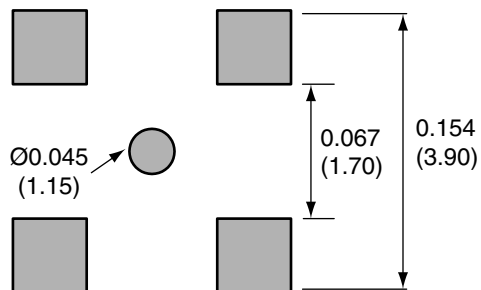
BACK VIEW



SIDE VIEW



RECOMMENDED FOOTPRINT



Title		CONMMCX001-SMD		Revision: 1.0		CONNECTOR CITY 159 ORT LANE MERLIN, OR 97532 PH (541)-471-6256 FAX (541)-471-6251	
Part No.		CONMMCX001-SMD		Date:		6/6/2007	
Dimensions:		INCHES (mm)		Sheet 1 of 1			

CONNECTOR CITY
THE VALUE OF CONNECTIONS