

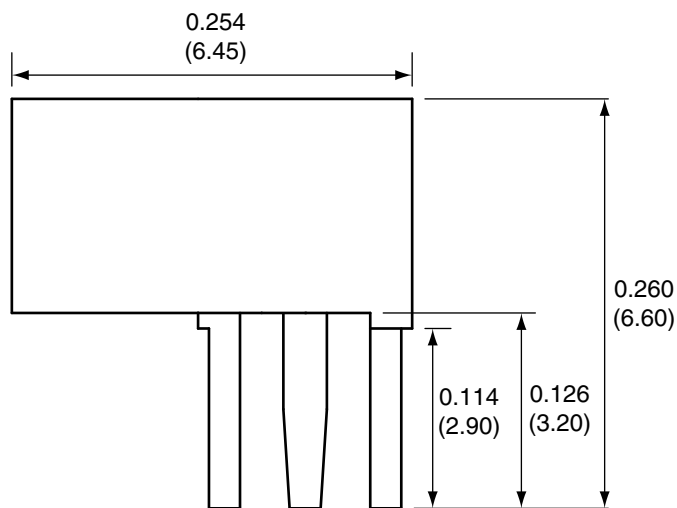
1		
Description	Material	Finish
Body	Brass	Gold
Socket	BE CU	Gold
Insulation	Teflon	Teflon

2

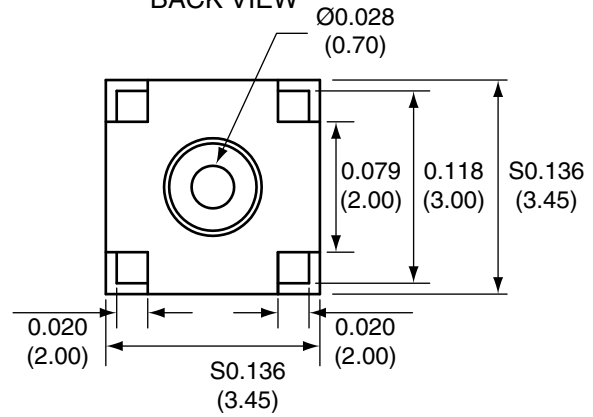
3

4

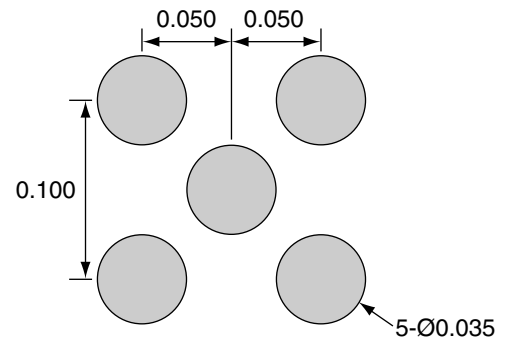
SIDE VIEW



BACK VIEW



RECOMMENDED FOOTPRINT



Title		MMCX FEMALE RIGHT ANGLE PCB MOUNT		CONNECTOR CITY 159 ORT LANE MERLIN, OR 97532 PH (541)-471-6256 FAX (541)-471-6251	
Part No.	CONMMCX002	Revision:	1.0		
Dimensions:	INCHES (mm)	Date:	6/11/2007	Sheet 1 of 1	



1

2

3

4