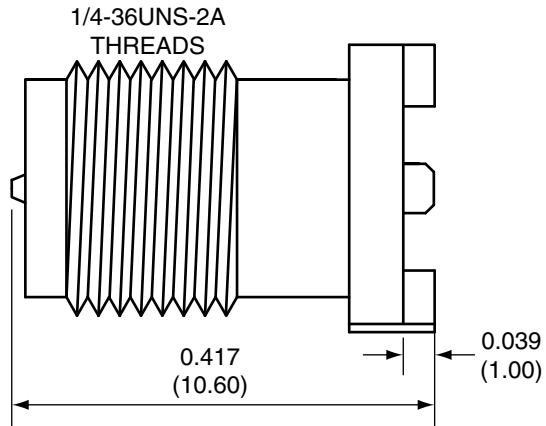
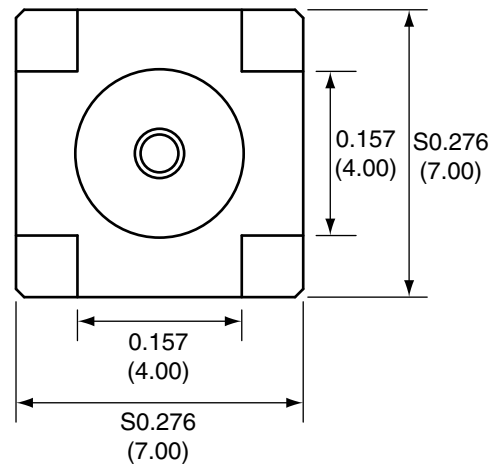


1		
Description	Material	Finish
Body	Brass	Nickel
Pin	BE CU	Gold
Insulation	Teflon	Teflon

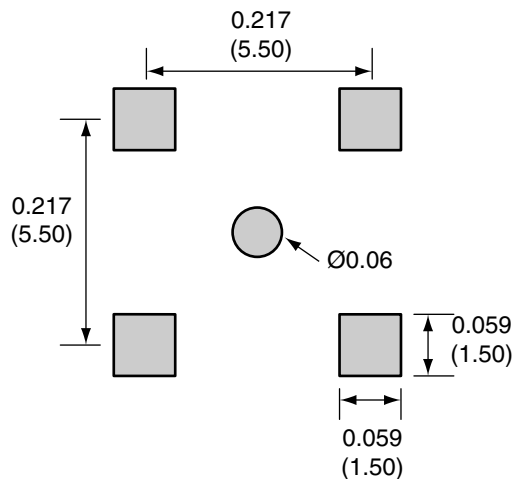
SIDE VIEW



BACK VIEW



RECOMMENDED FOOTPRINT



Title RP-SMA FEMALE PCB MOUNT SURFACE MOUNT

Part No. CONREVSMA001-SMD Revision: 1.0

Dimensions: INCHES (mm) Date: 5/31/2006

CONNECTOR CITY
159 ORT LANE
MERLIN, OR 97532
PH (541)-471-6256
FAX (541)-471-6251

Sheet 1 of 1

CONNECTOR CITY
THE VALUE OF CONNECTIONS