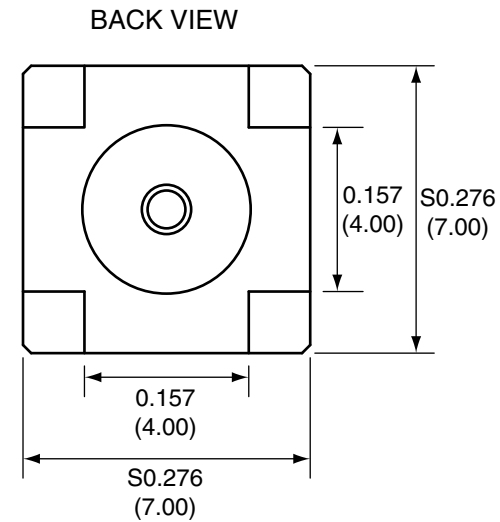
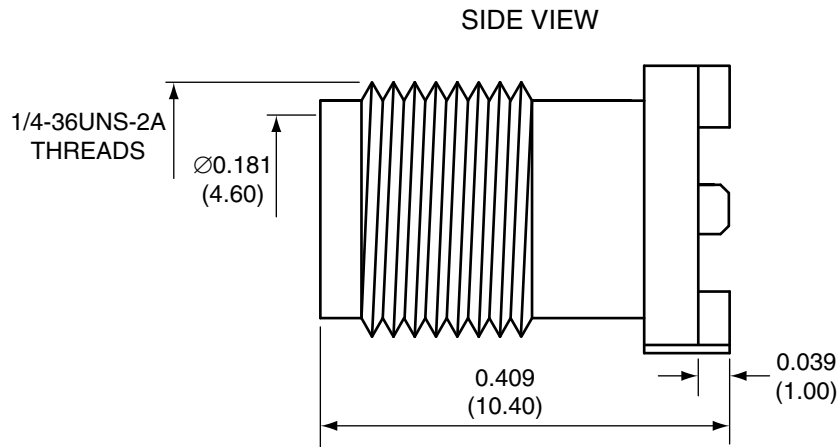
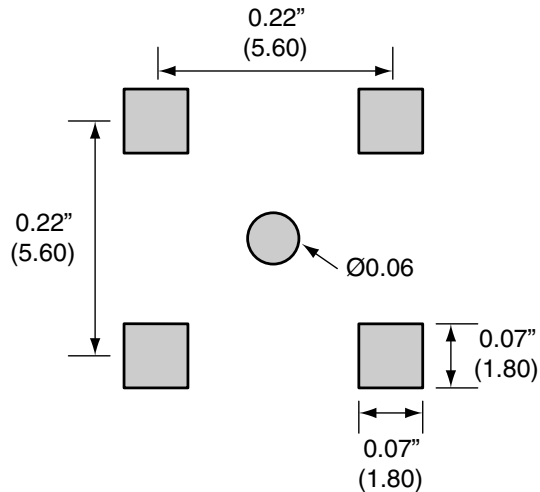


Description	Material	Finish
Body (-SMD)	Brass	Gold
Body (-SMD-N)	Brass	Nickel
Pin/Socket	BE CU	Gold
Insulation	Teflon	Teflon

REVISIONS			
REV	DESCRIPTION	DATE	APPV
B	Recommended Footprint revised; Gold & Nickel finish options	9/25/09	CJ



RECOMMENDED FOOTPRINT



NOTES: (UNLESS OTHERWISE SPECIFIED)

1. ALL DIMENSIONS ARE IN INCHES [mm].
2. DIMENSIONS APPLY AFTER FINISHING.
3. MANUFACTURE TO BE COMPLIANT WITH EU RoHS DIRECTIVE.
4. SAFETY BREAK ALL SHARP CORNERS AND EDGES .02 MAXIMUM.

WARNING: THIS DRAWING CONTAINS PROPRIETARY INFORMATION THAT IS THE SOLE PROPERTY OF CONNECTOR CITY, AND SHALL BE TREATED AS SUCH. NO DISCLOSURE OR REPRODUCTION OF THIS DOCUMENT IS PERMITTED, IN WHOLE OR IN PART, WITHOUT THE EXPRESS WRITTEN PERMISSION OF CONNECTOR CITY OR ITS DESIGNATED AGENTS.

MATERIAL:	TOLERANCES:	PROJECTION:
	.020 [0.50]-.200 [5.00]= ±.008 [0.20] .200 [5.00]-1.200 [30.00]= ±.016 [0.40] 1.20 [30.0]-4.75 [120.0]= ±.024 [0.60] 4.75 [120.0]-12.40 [315.0]= ±.040 [1.0]	ANGLS: ±1°
FINISH:	DRAWN: CJ	DT: 9/25/09
	ENGR:	DT:

CONNECTOR CITY THE VALUE OF CONNECTIONS 159 ORT LANE
MERLIN, OR 97532

TITLE: **SMA FEMALE PCB MOUNT,
SURFACE MOUNT**

SIZE A	DWG. NO. CONSMSA001-SMD (Gold finish) CONSMSA001-SMD-N (Nickel finish)	REV B
SCALE: 2:1	DO NOT SCALE DRAWING	SHEET 1 OF 1