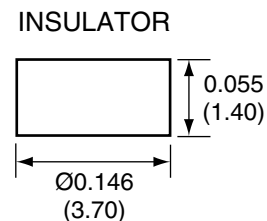
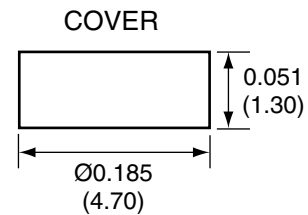
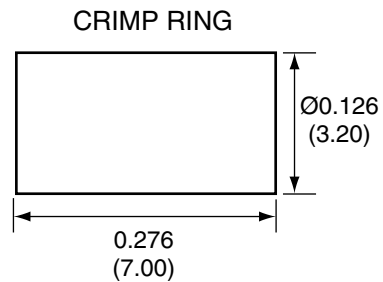
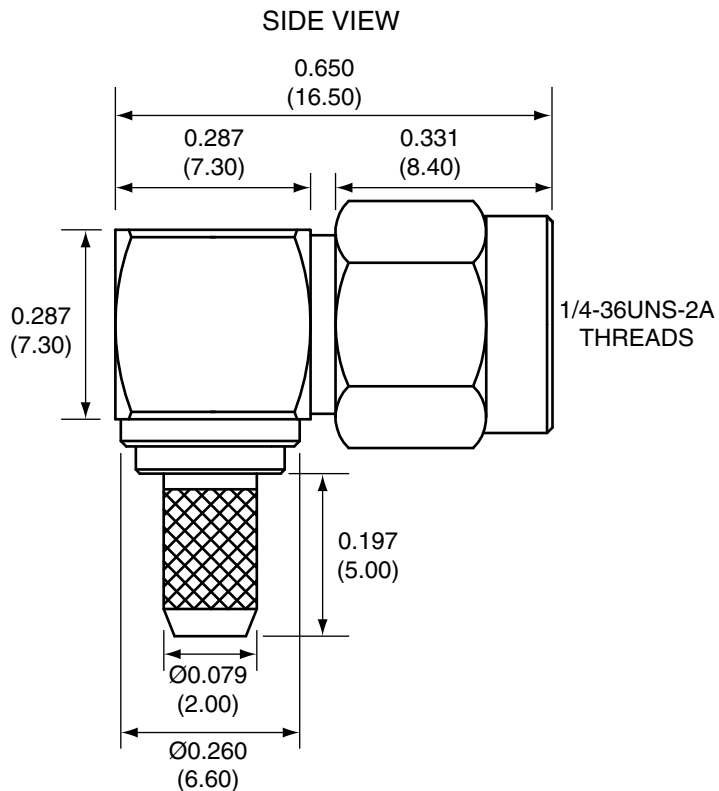
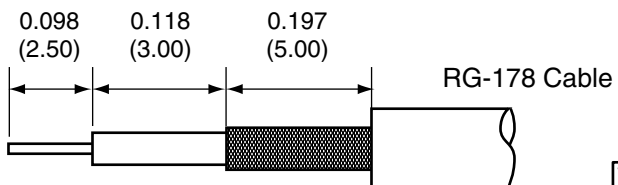


1		
Description	Material	Finish
Body	Brass	Nickel
Pin	Brass	Gold
Insulation	Teflon	Teflon
Washer	PH Bronze	Gold
Gasket	SI Rubber	Rubber
Crimp Ring	Brass	Nickel
Insulator	Teflon	Teflon
Cover	Brass	Nickel



RECOMMENDED CABLE STRIPPING DIMENSIONS



Title SMA MALE RIGHT ANGLE
CABLE END CRIMP FOR RG178 CABLE

Part No. CONSMA012-R178 Revision: 1.1

Dimensions: INCHES (mm) Date: 10/15/2008

CONNECTOR CITY
159 ORT LANE
MERLIN, OR 97532
PH (541)-471-6256
FAX (541)-471-6251

Sheet 1 of 1

CONNECTOR CITY
THE VALUE OF CONNECTIONS